

PARTS LIST

[XL-R5000BK]

* All printed circuit boards and its assemblies are not available as service parts.

Area suffix

U ----- Other Areas

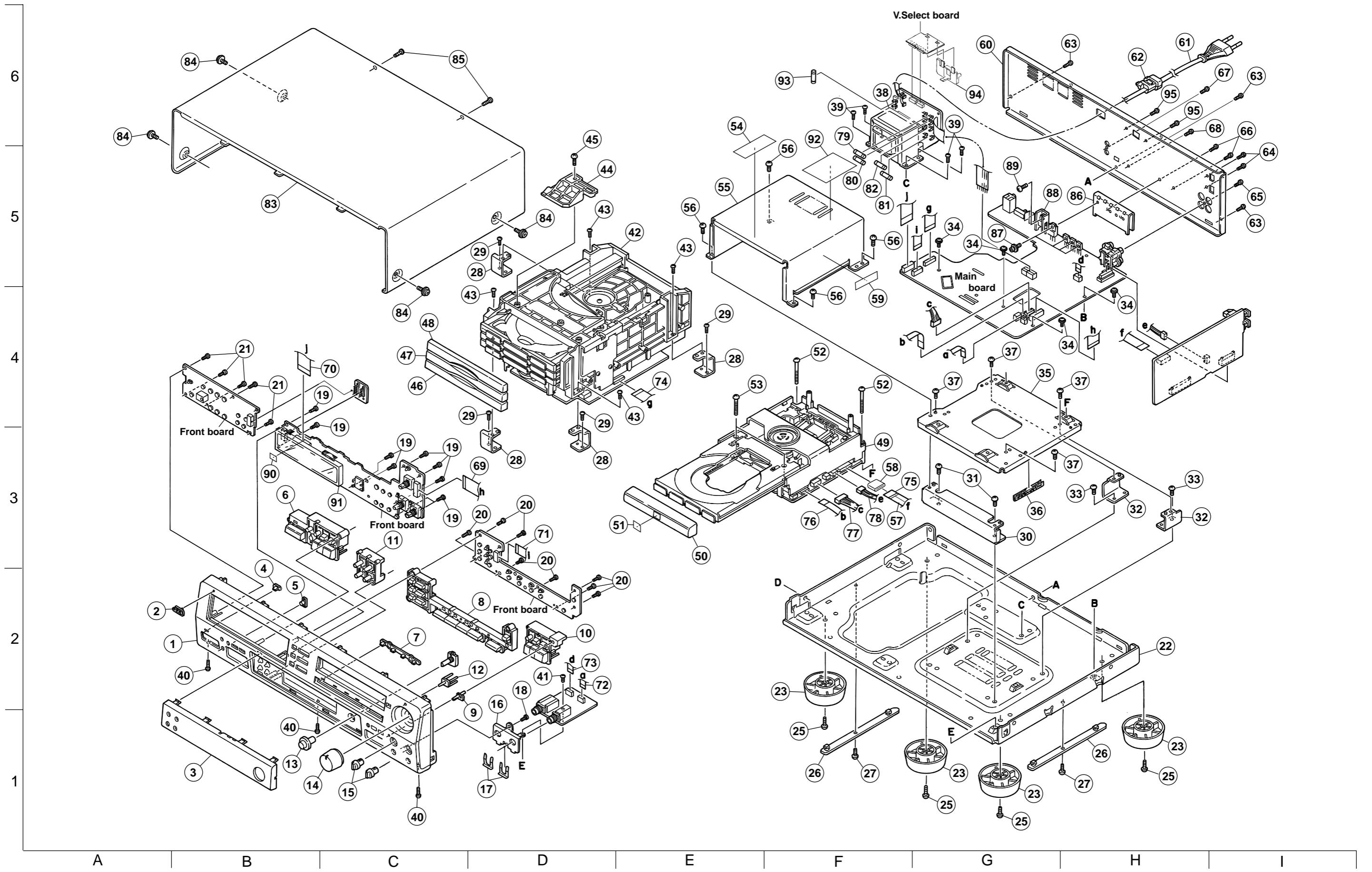
- Contents -

Exploded view of general assembly and parts list	3- 3
CD changer mechanism assembly and parts list	3- 5
CD mechanism assembly and parts list	3- 8
Electrical parts list	3- 9
Packing materials and accessories parts list	3-18

<<MEMO>>

Exploded view of general assembly and parts list

Block No. **M** **1** **M** **M**



■ Parts list (General assembly)

Block No. M1MM

△	Item	Parts number	Parts name	Q'ty	Description	Area
	1	LV10359-004A	FRONT PANEL	1		
	2	VJD5429-001SS	JVC MARK	1		
	3	LV20720-001A	FL LENS	1		
	4	FSJD4001-002	INDICATOR	1		
	5	E408131-002SM	REMOTE LENS	1		
	6	LV20721-002A	P.BUTTON(POW)	1		
	7	LV31811-001A	INDICATOR(C)	1		
	8	LV20723-001A	P.BUTTON ASSY	1		
	9	LV41613-001A	INDICATOR(A)	1		
	10	LV20722-001A	P.BUTTON(PLAY)	1		
	11	LV31812-001A	P.BUTTON(MENU)	1		
	12	LV41614-001A	INDICATOR(B)	1		
	13	LV31814-001A	JOG KNOB	1		
	14	LV31815-001A	VOL.KNOB	1		
	15	LV40061-001A	KNOB	2		
	16	LV40072-001A	MIC BRACKET	1		
	17	VKL6752-001	SNAP PLATE	2	FOR JACK	
	18	QYSDSF2608Z	SCREW	1	FOR MIC BKT	
	19	QYSDSF2608Z	SCREW	9	FOR PCB A	
	20	QYSDSF2608Z	SCREW	8	FOR PCB B	
	21	QYSDSF2608Z	SCREW	5	FOR PCB C	
	22	LV10014-002A	CHASSIS BASE	1		
	23	QZF6019-001	FOOT	4	FRONT	
	25	QYSBST3010Z	T.SCREW	4	FOR FOOT	
	26	LV31244-002A	SPACER	2		
	27	QYSBSG3008M	T.SCREW	2	SPACER+CHASSIS	
	28	LV40062-001A	CD BRACKET	4		
	29	QYSBST3006Z	T.SCREW	4	FOR CD BKT	
	30	LV31813-001A	CDR BRACKET(F)	1		
	31	QYSBST3006Z	T.SCREW	2	FOR CDR BKT(F)	
	32	LV41616-001A	CDR BRACKET(R)	2		
	33	QYSBST3006Z	T.SCREW	2	FOR CDR BKT(R)	
	34	QYSBSTG3006Z	T.SCREW	4	FOR MAIN PWB	
	35	LV20725-001A	MECHA BASE	1		
	36	LV30225-079A	SPACER	1		
	37	QYSBST3006Z	T.SCREW	4		
△	38	QQT0307-003	POWER TRANS	1	POWER TRANS	
	39	QYSBST3006Z	T.SCREW	4	FOR TRANS	
	40	QYSBSG3008M	T.SCREW	3	FRONT+CHASSIS	
	41	QYSBSTG3006Z	T.SCREW	1	H.P PWB+CHASSIS	
	42	-----	RC3 MECHA UNIT	1		
	43	QYSBST3008Z	T.SCREW	4	RC3+CD BKT	
	44	E309662-001SM	DISC STOPPER	1		
	45	QYSBSF3008Z	SCREW	1	RC3+DISC STOPPE	
	46	LV30033-001A	FITTING(L)	1		
	47	LV30035-001A	FITTING(C)	1		
	48	LV30037-005A	FITTING(U)	1		
	49	CRD-RA1	CDR UNIT	1		

■ Parts list (General assembly)

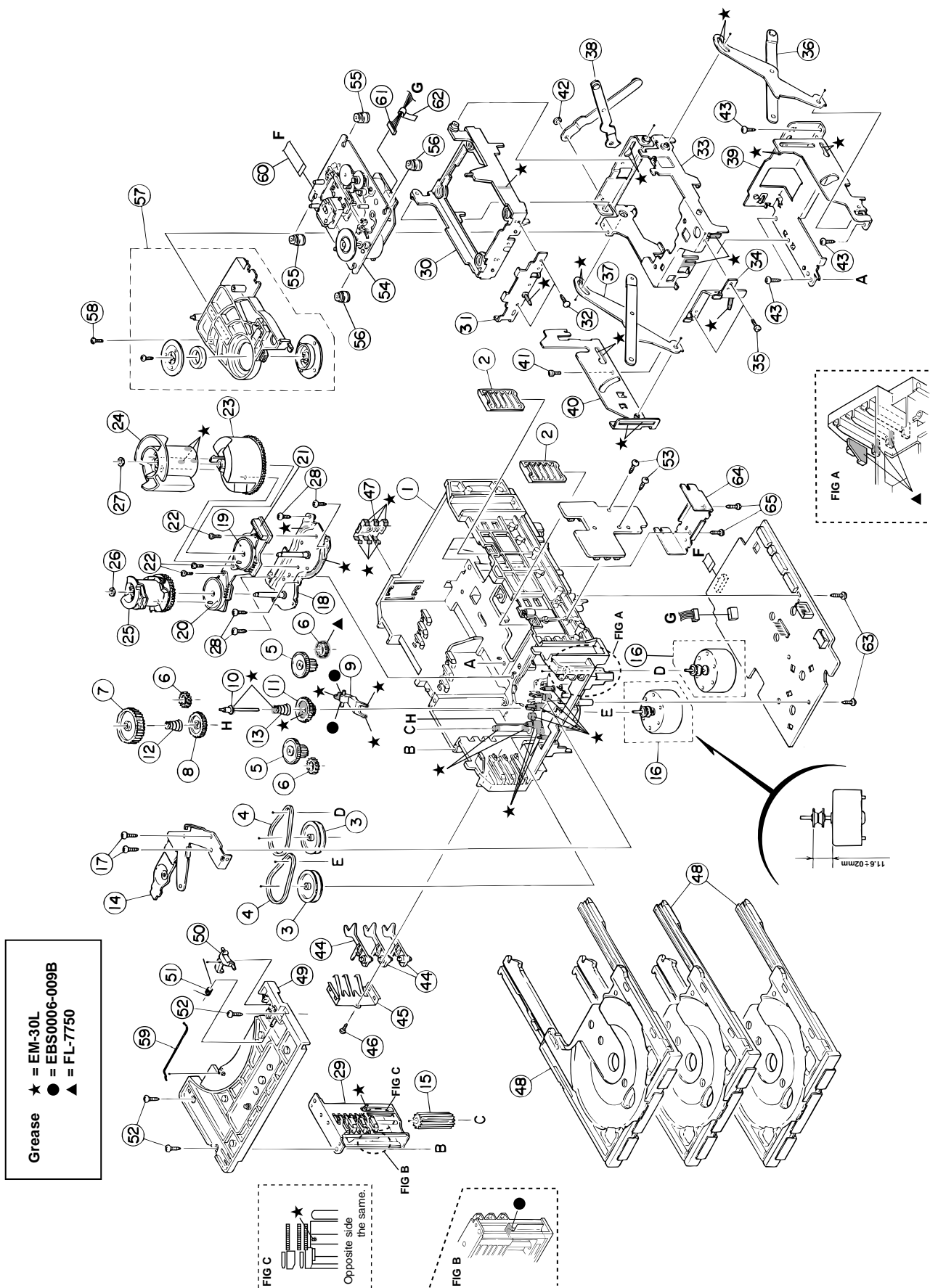
Block No. M1MM

△	Item	Parts number	Parts name	Q'ty	Description	Area
	50	LV20726-001A	FITTING(CDR)	1		
	51	LV41617-001A	CDR MARK	1		
	52	QYSBSG3035Z	T.SCREW	2	BASE+CDR MECHA	
	53	QYSBST3025Z	T.SCREW	2	BASE+CDR MECHA	
	54	LV41884-001A	SPACER	1		
	55	LV20798-001A	SHIELD CASE	1		
	56	QYSBST3006Z	T.SCREW	4	BASE+SHIELD CAS	
	57	LV41894-001A	SHIELD TAPE	1		
	58	QQR1120-001	FERRITE CORE	1	FOR CDR FFC 17P	
	59	LV30225-079A	SPACER	1		
	60	LV20010-014A	REAR PANEL	1		
△	61	QMP3900-200E	POWER CORD	1		
	62	QHS3771-108	CORD STOPPER	1		
	63	QYSBSG3008M	T.SCREW	3	REAR+CHASSIS	
	64	QYSBSG3008M	T.SCREW	2	REAR+-f-IN OUT	
	65	QYSBSG3008M	T.SCREW	1	REAR+LINE	
	66	QYSBSG3008M	T.SCREW	2	REAR+HEAT SINK	
	67	QYSBSG3008M	T.SCREW	1	REAR+COMP LINK	
	68	QYSBSG3008M	T.SCREW	1	FOR ARTH PLATE	
	69	QUQ412-1620CJ	FFC WIRE	1	VOL. - MAIN	
	70	QUQ412-1514CM	FFC WIRE	1	FL - MAIN	
	71	QUQ412-1118DJ	FFC WIRE	1	KEY - MAIN	
	72	QUQ412-0508CJ	FFC WIRE	1	H.P - MAIN	
	73	QUQ412-0420CF	FFC WIRE	1	MIC - MAIN	
	74	QUQ110-1908AJ	FFC WIRE	1	3CD - MAIN	
	75	QUQ110-1710AJ	FFC WIRE	1	CDR DG - DG I/O	
	76	QUQ110-0912AJ	FFC WIRE	1	CDR I/F - MAIN	
	77	QJJ015-061001	SIN CR C-C WIRE	1	CDR POWER - MAI	
	78	QJJ010-041404	SIN CR C-C WIRE	1	CDR - DG I/O	
△	79	QMF51E2-R25-J1	FUSE	1	F901	
△	80	QMF51E2-R25-J1	FUSE	1	F902	
△	81	QMF51E2-1R25-J1	FUSE	1	F903	
△	82	QMF51E2-1R6-J1	FUSE	1	F904	
	83	LV20009-311A/S/	METAL COVER	1	MAGE SHANAI	
	84	E406308-003	SPECIAL SCREW	4	TOP(SIDE)	
	85	QYSBSG3008M	T.SCREW	2	TOP+REAR	
	86	LV40203-002A	HEAT SINK	1	IC921	
	87	QYSPSPD3008Z	SCREW	4	IC921	
	88	E70306-001	HEAT SINK	1	IC921	
	89	QYSBSG3008E	T.SCREW	1	IC921	
	90	LV30225-083A	SPACER	1		
	91	LV31897-001A	FL HOLDER	1		
	92	LV41884-002A	SPACER	1		
△	93	QMF51E2-R40-J1	FUSE	1	F905	
	94	VKS5011-001	VOLTAGE CONTACT	1		
	95	QYSBSG3008M	T.SCREW	2		

CD changer mechanism assembly and parts list

RC3-1

Block No. M 2 M M



■ Parts list (CD changer mechanism)

Block No. M2MM

△	Item	Parts number	Parts name	Q'ty	Description	Area
	1	VKS1144-003	CHASSIS	1		
	2	VKS3698-003	TRAY GUIDE	2		
	3	VKS5532-003	PULLEY GEAR	2		
	4	VKB3000-164	BELT	2		
	5	VKS5505-003	GEAR B	2		
	6	VKS5506-002	GEAR C	3		
	7	VKS5507-002	CROSS GEAR U	1		
	8	VKS5508-002	CROSS GEAR L	1		
	9	VKS5510-003	SELECT LEVER	1		
	10	VKH5769-001	S.G.SHAFT	1		
	11	VKS5511-002	SELECT GEAR	1		
	12	LV40612-001A	COMP.SPRING	1		
	13	VKW5155-003	COMP.SPRING	1	FOR SELECT GEAR	
	14	VKM3846-002	GEAR BRACKET	1		
	15	VKS5509-002MM	CYLINDER GEAR	1		
	16	MSN5D257A-SA2	DC MOTOR ASS'Y	2		
	17	QYSPSPD2616Z	SCREW	2	FOR MOTOR	
	18	VKM3825-00AMM	C.G.BASE ASS'Y	1		
	19	VKZ3172-00ASS	CAM SW. R ASS'Y	1		
	20	VKZ3173-00ASS	CAM SW. L ASS'Y	1		
	21	QGB2021L1-10	CONNECTOR	1	CN805	
	22	QYSPST2606Z	SCREW	3	FOR CAM SW.	
	23	VKS2263-002MM	CAM R1	1		
	24	VKS2264-002MM	CAM R2	1		
	25	VKS2265-002MM	CAM GEAR L	1		
	26	WDL316050MM	SLIT WASHER	1	FOR CAM GEAR L	
	27	WDL316050MM	SLIT WASHER	1		
	28	QYSBSF2608Z	T.SCREW	4	FOR C.GEAR BASE	
	29	VKS3702-00FMM	DRIVE UNIT	1		
	30	VKS2247-004	MECHA HOLDER A	1		
	31	VKL7767-00B	BRACKET ASS'Y	1		
	32	QYSBSF2606Z	SCREW	2	FOR BRACKET	
	33	VKM3860-00A	M.HOLDER B AS'Y	1		
	34	VKL7802-00C	M.HOLDER C AS'Y	1		
	35	QYSDST2604Z	SCREW	2	FOR M.HOLDER C	
	36	VKL7810-00A	LIFTER ASS'Y R	1		
	37	VKL7811-00A	LIFTER ASS'Y L	1		
	38	VKL7812-00A	LIFTER ASS'Y H	1		
	39	VKL2732-002	LIFTER BASE	1		
	40	VKM3857-001	LIFTER BRACKET	1		
	41	QYSDST2604Z	SCREW	1		
	42	WDL266035-2	SLIT WASHER	1		
	43	QYSBSF2608Z	T.SCREW	4		
	44	VKS5514-002MM	LOCK LEVER	3		
	45	VKY3133-002MM	RETURN SPRING	1		
	46	QYSBSF2608Z	T.SCREW	1	FOR RETURN SP.	
	47	VKY3134-003MM	CLICK SPRING	1		
	48	VKS2252-00E	TRAY ASS'Y	3		

Parts list (CD changer mechanism)

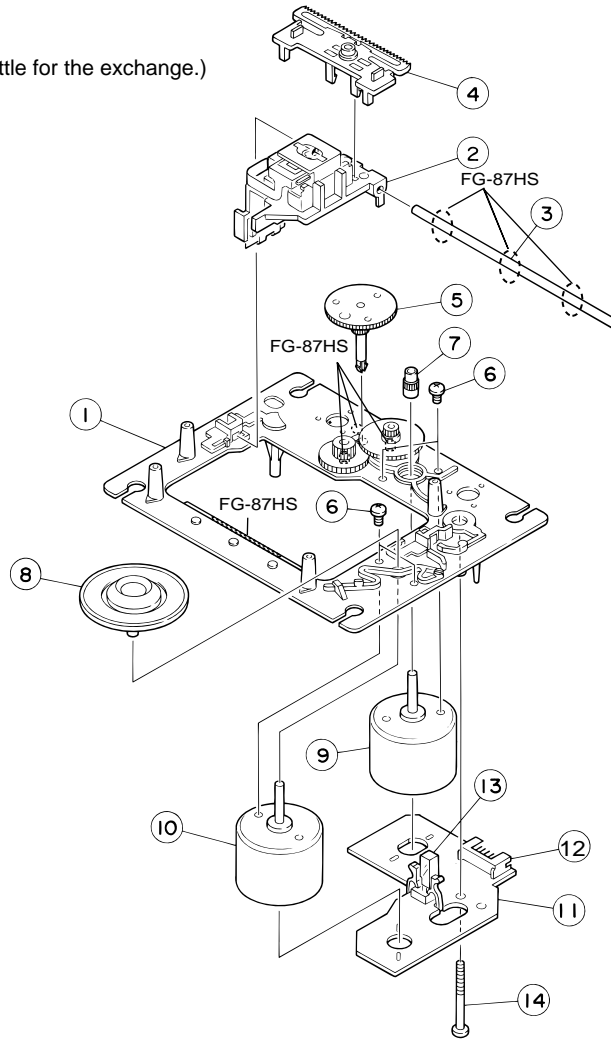
Block No. M2MM

△	Item	Parts number	Parts name	Q'ty	Description	Area
	49	VKS2250-003	TOP BRACKET	1		
	50	VKS5515-002	S.TRAY STOPPER	1		
	51	VKW5156-004	TORSION SPRING	1		
	52	QYSBSF2608Z	T.SCREW	3		
	53	QYSBSF2608Z	T.SCREW	2		
	54	-----	CD MECHA	1		
	55	LV40761-003A	INSULATOR	2		
	56	LV40866-002A	INSULATOR	2		
	57	VKS3703-00G	CLAMPER ASS'Y	1		
	58	QYSPST2606Z	SCREW	1		
	59	VKW5187-001	ROD	1		
	60	QUQ610-1509AJ	FFC WIRE	1	TRAVERSE 15	
	61	EWS176-008	FLAT WIRE	1	TRAVERSE 6	
	62	VYSA1R2-033	SPACER	1	FOR EWS176-008	
	63	QYSBSF2608Z	T.SCREW	2	FOR CD CB	
	64	LE30611-001A	C.B HOLDER	1	FOR CD CB	
	65	QYSBSF3008Z	SCREW	2	FOR HOLDER	

CD mechanism assembly and parts list

Block No. M 3 M M

Grease Point
 FG-87HS
 (Grease to apply have to be a little for the exchange.)



EXL-M7TMB
 EXL-M7MB

Parts list (CD mechanism)

Block No. M3MM

Item	Parts number	Parts name	Q'ty	Description	Area
1	E102731-221SM	MECHA BASE	1		
2	OPTIMA-7B	OPTICAL PICK UP	1		
3	E406777-002SM	CD SHAFT	1		
4	LV31002-001A	CD RACK	1		
5	E307745-441SM	MECHA GEAR	1		
6	QYSDSP2003N	SCREW	4		
7	E406750-442SM	PINION GEAR	1		
8	EPB-001PK	TURN TABLE	1	SINGLE CD	
	EPB309173PKA	TURN TABLE	1	CHANGER CD	
9	E406784-001	FEED MOTOR	1		
10	QAR0130-001	SPPINDLE MOTOR	1		
11	EMW10190-441	P.C.BOARD	1		
12	QGA2001F1-06	6P PLUG ASSY	1		
13	QSW0506-001	LEAF SWITCH	1		
14	E75832-221SS	SPECIAL SCREW	1		

■ Electrical parts list (Main board)

Block No. 01

△	Item	Parts number	Parts name	Remarks	Area	△	Item	Parts number	Parts name	Remarks	Area
	C 111	QTE1V06-106Z	E CAPACITOR				C 913	QCF11HZ-103	C CAPACITOR	.010MF +80:-20%	
	C 112	QCBB1HK-101Y	C CAPACITOR	100PF 10% 50V			C 915	QETN1CM-107Z	E CAPACITOR	100MF 20% 16V	
	C 113	QCBB1HK-101Y	C CAPACITOR	100PF 10% 50V			C 916	QETN1AM-477Z	E CAPACITOR	470MF 20% 10V	
	C 114	QTE1V06-106Z	E CAPACITOR				C 917	QETM1EM-688	E CAPACITOR	6800MF 20% 25V	
	C 115	QFVC1HJ-563Z	M.M.CAP.IM	.056MF 5% 50V			C 921	QETM1EM-688	E CAPACITOR	6800MF 20% 25V	
	C 171	QENC1HM-105Z	NP E.CAPA I.M	1.0MF 20% 50V			C 922	QCF11HZ-103	C CAPACITOR	.010MF +80:-20%	
	C 172	QETN1HM-475Z	E CAPACITOR	4.7MF 20% 50V			C 923	QETN1HM-105Z	E CAPACITOR	1.0MF 20% 50V	
	C 181	QDXB1CM-222Y	C CAPA IM				C 924	QETN0JM-108Z	E CAPACITOR	1000MF 20% 6.3V	
	C 182	QTE1E06-226Z	E CAPACITOR				C 926	QCF11HZ-103	C CAPACITOR	.010MF +80:-20%	
	C 211	QTE1V06-106Z	E CAPACITOR				C 927	QCF11HZ-103	C CAPACITOR	.010MF +80:-20%	
	C 212	QCBB1HK-101Y	C CAPACITOR	100PF 10% 50V			C 932	QETN1AM-477Z	E CAPACITOR	470MF 20% 10V	
	C 213	QCBB1HK-101Y	C CAPACITOR	100PF 10% 50V			C 933	QETN0JM-108Z	E CAPACITOR	1000MF 20% 6.3V	
	C 214	QTE1V06-106Z	E CAPACITOR				C 941	QETN1HM-227Z	E CAPACITOR	220MF 20% 50V	
	C 215	QFVC1HJ-563Z	M.M.CAP.IM	.056MF 5% 50V			C 942	QETN1JM-227Z	E CAPACITOR	220MF 20% 63V	
	C 271	QENC1HM-105Z	NP E.CAPA I.M	1.0MF 20% 50V			C 943	QETN1HM-106Z	E CAPACITOR	10MF 20% 50V	
	C 272	QETN1HM-475Z	E CAPACITOR	4.7MF 20% 50V			C 944	QETN1HM-106Z	E CAPACITOR	10MF 20% 50V	
	C 281	QDXB1CM-222Y	C CAPA IM				C 945	QETN1CM-107Z	E CAPACITOR	100MF 20% 16V	
	C 282	QTE1E06-226Z	E CAPACITOR				C 991	QETN1HM-474Z	E CAPACITOR	.47MF 20% 50V	
	C 301	QCFB1HZ-104Y	C CAPACITOR	.10MF +80:-20%			C 992	QDGB1HK-102Y	C CAPACITOR		
	C 303	QCS11HJ-270	C CAPACITOR	27PF 5% 50V			C 993	QDGB1HK-102Y	C CAPACITOR		
	C 351	QCFB1HZ-104Y	C CAPACITOR	.10MF +80:-20%			CN301	QGB2501J1-07	B TO B CONNE	MAIN PWB	
	C 352	QETN1CM-107Z	E CAPACITOR	100MF 20% 16V			CN311	QGB2510J1-14	CONNECTOR	MAIN PCB FOR OP	
	C 353	QCFB1HZ-104Y	C CAPACITOR	.10MF +80:-20%			CN351	QGB2501K1-07	CONNECTOR	OPT PWB	
	C 361	QCZ0205-155Z	ML C CAPACITOR	1.5MF			CN361	QGB2510K2-14	CONNECTOR	OPT DAC PCB	
	C 362	QETN1AM-227Z	E CAPACITOR	220MF 20% 10V			CN501	QGF1205C1-15	CONNECTOR		
	C 363	QCFB1HZ-104Y	C CAPACITOR	.10MF +80:-20%			CN502	QGF1205C1-11	CONNECTOR		
	C 364	QETN1HM-106Z	E CAPACITOR	10MF 20% 50V			CN504	QGF1016C1-09	FFC/FPC CONNE		
	C 365	QCZ0205-155Z	ML C CAPACITOR	1.5MF			CN505	QGF1205C1-06	CONNECTOR	FOR FLASH WRITE	
	C 366	QETM1EM-108	E CAPACITOR	1000MF 20% 25V			CN506	QGF1016C1-17	CONNECTOR	FOR CDR DIGITAL	
	C 367	QCZ0205-155Z	ML C CAPACITOR	1.5MF			CN801	QGA2001C1-06	6P PLUG ASSY	CDR UNIT POWER	
	C 368	QETN1HM-106Z	E CAPACITOR	10MF 20% 50V			CN802	QGA2001C1-04	4P PLUG ASSY	CDR UNIT ANALOG	
	C 369	QCFB1HZ-104Y	C CAPACITOR	.10MF +80:-20%			CN811	QGF1016C1-19	CONNECTOR	TO CD UNIT	
	C 501	QEZO507-22AZ	EDL.CAPA I/M	PF			CN841	VMC0163-016	CONNECTOR	FRONT VOL	
	C 502	QETN1HM-475Z	E CAPACITOR	4.7MF 20% 50V			CN842	QGF1205C1-05	CONNECTOR	TO HP AMP.JACK	
	C 504	QDYB1CM-103Y	C CAPACITOR				CN861	QGF1205C1-04	CONNECTOR	TO MIC&HP PWB	
	C 507	QCS11HJ-220	C CAPACITOR	22PF 5% 50V			CN901	QGD2501C1-04Z	SOCKET		
	C 508	QCS11HJ-220	C CAPACITOR	22PF 5% 50V			CN902	QGD2501C1-05Z	SOCKET I.M		
	C 511	QCFB1HZ-104Y	C CAPACITOR	.10MF +80:-20%			C1501	QDYB1CM-822Y	C CAPA IM		
	C 512	QCFB1HZ-104Y	C CAPACITOR	.10MF +80:-20%			C1502	QDXB1CM-152Y	C.CAPA IM		
	C 541	QDYB1CM-103Y	C CAPACITOR				C1503	QDXB1CM-152Y	C.CAPA IM		
	C 543	QDX31EM-473Z	C CAPACITOR				C1504	QTE1V06-106Z	E CAPACITOR		
	C 801	QCFB1HZ-104Y	C CAPACITOR	.10MF +80:-20%			C2501	QDYB1CM-822Y	C CAPA IM		
	C 802	QTE1E28-476Z	E CAPACITOR				C2502	QDXB1CM-152Y	C.CAPA IM		
	C 803	QCFB1HZ-104Y	C CAPACITOR	.10MF +80:-20%			C2503	QDXB1CM-152Y	C.CAPA IM		
	C 804	QTE1E28-476Z	E CAPACITOR				C2504	QTE1V06-106Z	E CAPACITOR		
	C 811	QCSB1HJ-270Y	CER.CAPACITOR-S	27PF 5% 50V			D 301	1SS133-T2	SI DIODE		
	C 871	QDYB1CM-103Y	C CAPACITOR				D 302	1SS133-T2	SI DIODE		
	C 872	QETN1EM-476Z	E CAPACITOR	47MF 20% 25V			D 501	1SS133-T2	SI DIODE		
	C 873	QDYB1CM-103Y	C CAPACITOR				D 502	1SS133-T2	SI DIODE		
	C 874	QETN1EM-476Z	E CAPACITOR	47MF 20% 25V			D 503	1SS133-T2	SI DIODE		
	C 881	QETN1HM-105Z	E CAPACITOR	1.0MF 20% 50V			D 504	1SS133-T2	SI DIODE		
	C 901	QETM1EM-228	E CAPACITOR	2200MF 20% 25V			D 541	1SS133-T2	SI DIODE		
	C 902	QETM1EM-108	E CAPACITOR	1000MF 20% 25V			D 811	1SS133-T2	SI DIODE	CD STATUS	
	C 903	QETN1EM-476Z	E CAPACITOR	47MF 20% 25V			△ D 901	1SR35-400A-T5	DIODE I/M		
	C 904	QETN1AM-107Z	E CAPACITOR	100MF 20% 10V			△ D 902	1SR35-400A-T5	DIODE I/M		
	C 905	QTE1E28-107Z	E CAPACITOR				△ D 903	1SR35-400A-T5	DIODE I/M		
	C 906	QTE1E28-107Z	E CAPACITOR				△ D 904	1SR35-400A-T5	DIODE I/M		
	C 907	QETN1HM-225Z	E CAPACITOR	2.2MF 20% 50V			D 905	MTZJ5.6B-T2	ZENER DIODE		
	C 908	QETM0JM-338	E.CAPACITOR	3300MF 20% 6.3V			D 906	1SS133-T2	SI DIODE		
	C 909	QCF11HZ-103	C CAPACITOR	.010MF +80:-20%			D 907	1SS133-T2	SI DIODE		
	C 910	QCF11HZ-103	C CAPACITOR	.010MF +80:-20%			D 908	MTZJ10A-T2	ZENER DIODE		
	C 911	QCF11HZ-103	C CAPACITOR	.010MF +80:-20%			D 909	1SS133-T2	SI DIODE		
	C 912	QCF11HZ-103	C CAPACITOR	.010MF +80:-20%			D 910	1SR35-400A-T5	DIODE I/M		

■ Electrical parts list (Main board)

Block No. 01

△	Item	Parts number	Parts name	Remarks	Area
	D 911	1SR35-400A-T5	DIODE I/M		
	D 912	1SR35-400A-T5	DIODE I/M		
	D 913	1SR35-400A-T5	DIODE I/M		
	D 914	1SS133-T2	SI DIODE		
	D 915	1SS133-T2	SI DIODE		
△	D 916	MTZJ5.6C-T2	ZENER DIODE		
△	D 921	1GWJ42-T5	DIODE		
△	D 922	1GWJ42-T5	DIODE		
△	D 923	1GWJ42-T5	DIODE		
△	D 924	1GWJ42-T5	DIODE		
	D 925	1SS133-T2	SI DIODE		
	D 927	1SR35-400A-T5	DIODE I/M		
△	D 928	MTZJ6.8A-T2	ZENER DIODE		
△	D 941	1SR35-400A-T5	DIODE I/M		
△	D 942	1SR35-400A-T5	DIODE I/M		
	D 943	MTZJ36C-T2	Z.DIODE I.M		
	D 944	1SS133-T2	SI DIODE		
	D 945	MTZJ5.6B-T2	ZENER DIODE		
	D 981	1SS133-T2	SI DIODE		
	D 982	1SS133-T2	SI DIODE		
	D 991	1SS133-T2	SI DIODE		
	D 992	1SS133-T2	SI DIODE		
	EP541	E409182-001SM	GRAND TERMINAL		
	EP801	QNZ0136-001Z	EARTH PLATE	CDR AGND TERMIN	
	IC301	TC74HC00AP	IC	D.OUT SEL	
	IC321	UPC78L05J-T	IC		
	IC361	AK4393VF-X	IC	DAC	
	IC362	NJM4580L	IC	DAC LPF .CDR	
	IC501	UPD784214AGF506	IC(MCU)	CPU	
	IC502	IC-PST600/H-T	IC	RESET	
	IC811	NJM4580L	IC	CD LPF	
	IC821	BU4066BC	IC	LINE OUT SEL	
	IC831	BU4066BC	IC	REC SEL1	
	IC841	BU4066BC	IC	REC SEL2	
	IC861	BU4066BC	IC	CD DRT SWITCH	
	IC871	BA15218N	IC	LINE IN AMP	
	IC881	NJM4580L	IC	LINE OUT BUFFER	
△	IC901	BA05ST-V5	IC	CDR SW 5V/1A	
△	IC921	UPC24M05AHF	IC	LOGIC US 5V/0.5	
	J 351	GP1FA550TZ	OPT TRANSMITTER	OPT OUT	
	J 352	GP1FA550RZ	OPT RECEIVER	OPT IN	
	J 541	QNS0073-001	JACK	DCS JACK	
	J 871	QNN0126-001	PIN JACK	LINE JACK	
	K 301	QQR0779-001Z	INDUCTOR		
	K 801	QQR0779-001Z	INDUCTOR		
	Q 181	2SC2001/LK/-T	TRANSISTOR	L.OUT MUTING	
	Q 182	2SC2001/LK/-T	TRANSISTOR	HP MUTE	
	Q 281	2SC2001/LK/-T	TRANSISTOR	L.OUT MUTING	
	Q 282	2SC2001/LK/-T	TRANSISTOR	HP MUTE	
	Q 361	KRC103M-T	TRANSISTOR		
	Q 501	DTC114ESA-T	DIGITAL.TR TAPE		
	Q 541	KRA103M-T	TRANSISTOR *		
	Q 542	KTC3199/GL/-T	TRANSISTOR		
	Q 821	KRA103M-T	TRANSISTOR *		
	Q 822	KRC103M-T	TRANSISTOR		
	Q 831	KRA103M-T	TRANSISTOR *		
	Q 832	KRA103M-T	TRANSISTOR *		
	Q 841	KRA103M-T	TRANSISTOR *		
	Q 842	KRA103M-T	TRANSISTOR *		
	Q 861	KRA103M-T	TRANSISTOR *		
	Q 862	KRC103M-T	TRANSISTOR		
	Q 881	2SA933S/RS/-T	TRANSISTOR		
△	Q 901	2SC3422/OY/	TRANSISTOR		

△	Item	Parts number	Parts name	Remarks	Area
	Q 902	KTC3199/GL/-T	TRANSISTOR		
	Q 903	2SK301/QR/-T	TRANSISTOR(FET)		
	Q 904	2SA933S/RS/-T	TRANSISTOR		
△	Q 905	2SA1359/OY/	TRANSISTOR		
	Q 906	2SK301/QR/-T	TRANSISTOR(FET)		
△	Q 907	2SC3422/OY/	TRANSISTOR		
	Q 908	KTC3199/GL/-T	TRANSISTOR		
△	Q 941	2SB647/CD/-T	TRANSISTOR		
	Q 981	KRC103M-T	TRANSISTOR		
	Q 982	KRC103M-T	TRANSISTOR		
	R 111	QRE141J-223Y	C RESISTOR	22K 5% 1/4W	
	R 112	QRE141J-223Y	C RESISTOR	22K 5% 1/4W	
	R 113	QRE141J-223Y	C RESISTOR	22K 5% 1/4W	
	R 114	QRE141J-222Y	C RESISTOR	2.2K 5% 1/4W	
	R 115	QRE141J-182Y	C RESISTOR	1.8K 5% 1/4W	
	R 116	QRE141J-473Y	C RESISTOR	47K 5% 1/4W	
	R 131	QRE141J-473Y	C RESISTOR	47K 5% 1/4W	
	R 132	QRE141J-123Y	C RESISTOR	12K 5% 1/4W	
	R 141	QRE141J-122Y	C RESISTOR	1.2K 5% 1/4W	
	R 142	QRE141J-102Y	C RESISTOR	1.0K 5% 1/4W	
	R 171	QRE141J-393Y	C RESISTOR	39K 5% 1/4W	
	R 172	QRE141J-473Y	C RESISTOR	47K 5% 1/4W	
	R 173	QRE141J-393Y	C RESISTOR	39K 5% 1/4W	
	R 176	QRE141J-103Y	C RESISTOR	10K 5% 1/4W	
	R 181	QRE141J-474Y	C RESISTOR	470K 5% 1/4W	
	R 182	QRE141J-471Y	C RESISTOR	470 5% 1/4W	
	R 183	QRE141J-222Y	C RESISTOR	2.2K 5% 1/4W	
	R 184	QRE141J-221Y	C RESISTOR	220 5% 1/4W	
	R 185	QRE141J-102Y	C RESISTOR	1.0K 5% 1/4W	
	R 186	QRE141J-472Y	C RESISTOR	4.7K 5% 1/4W	
	R 211	QRE141J-223Y	C RESISTOR	22K 5% 1/4W	
	R 212	QRE141J-223Y	C RESISTOR	22K 5% 1/4W	
	R 213	QRE141J-223Y	C RESISTOR	22K 5% 1/4W	
	R 214	QRE141J-222Y	C RESISTOR	2.2K 5% 1/4W	
	R 215	QRE141J-182Y	C RESISTOR	1.8K 5% 1/4W	
	R 216	QRE141J-473Y	C RESISTOR	47K 5% 1/4W	
	R 231	QRE141J-473Y	C RESISTOR	47K 5% 1/4W	
	R 232	QRE141J-123Y	C RESISTOR	12K 5% 1/4W	
	R 241	QRE141J-122Y	C RESISTOR	1.2K 5% 1/4W	
	R 242	QRE141J-102Y	C RESISTOR	1.0K 5% 1/4W	
	R 271	QRE141J-393Y	C RESISTOR	39K 5% 1/4W	
	R 272	QRE141J-473Y	C RESISTOR	47K 5% 1/4W	
	R 273	QRE141J-393Y	C RESISTOR	39K 5% 1/4W	
	R 276	QRE141J-103Y	C RESISTOR	10K 5% 1/4W	
	R 281	QRE141J-474Y	C RESISTOR	470K 5% 1/4W	
	R 282	QRE141J-471Y	C RESISTOR	470 5% 1/4W	
	R 283	QRE141J-222Y	C RESISTOR	2.2K 5% 1/4W	
	R 284	QRE141J-221Y	C RESISTOR	220 5% 1/4W	
	R 285	QRE141J-102Y	C RESISTOR	1.0K 5% 1/4W	
	R 286	QRE141J-472Y	C RESISTOR	4.7K 5% 1/4W	
	R 301	QRE141J-101Y	C RESISTOR	100 5% 1/4W	
	R 302	QRE141J-101Y	C RESISTOR	100 5% 1/4W	
	R 303	QRE141J-181Y	C RESISTOR	180 5% 1/4W	
	R 361	QRE141J-103Y	C RESISTOR	10K 5% 1/4W	
	R 362	QRE141J-101Y	C RESISTOR	100 5% 1/4W	
	R 363	QRE141J-101Y	C RESISTOR	100 5% 1/4W	
	R 364	QRE141J-473Y	C RESISTOR	47K 5% 1/4W	
	R 365	QUY150-050Y	BUS WIRE		
	R 367	QRE141J-101Y	C RESISTOR	100 5% 1/4W	
	R 368	QRE141J-101Y	C RESISTOR	100 5% 1/4W	
	R 369	QRE141J-101Y	C RESISTOR	100 5% 1/4W	
	R 370	QRE141J-101Y	C RESISTOR	100 5% 1/4W	
	R 501	QRE141J-331Y	C RESISTOR	330 5% 1/4W	

■ Electrical parts list (Main board)

Block No. 01

△	Item	Parts number	Parts name	Remarks	Area
	R 502	QRE141J-104Y	C RESISTOR	100K 5% 1/4W	
	R 503	QRE141J-223Y	C RESISTOR	22K 5% 1/4W	
	R 504	QRE141J-102Y	C RESISTOR	1.0K 5% 1/4W	
	R 506	QRE141J-473Y	C RESISTOR	47K 5% 1/4W	
	R 508	QRE141J-223Y	C RESISTOR	22K 5% 1/4W	
	R 509	QRE141J-104Y	C RESISTOR	100K 5% 1/4W	
	R 510	QRE141J-104Y	C RESISTOR	100K 5% 1/4W	
	R 511	QRE141J-102Y	C RESISTOR	1.0K 5% 1/4W	
	R 512	QRE141J-102Y	C RESISTOR	1.0K 5% 1/4W	
	R 513	QRE141J-151Y	C RESISTOR	150 5% 1/4W	
	R 514	QRE141J-102Y	C RESISTOR	1.0K 5% 1/4W	
	R 515	QRE141J-102Y	C RESISTOR	1.0K 5% 1/4W	
	R 516	QRE141J-102Y	C RESISTOR	1.0K 5% 1/4W	
	R 517	QRE141J-102Y	C RESISTOR	1.0K 5% 1/4W	
	R 519	QRE141J-102Y	C RESISTOR	1.0K 5% 1/4W	
	R 520	QRE141J-102Y	C RESISTOR	1.0K 5% 1/4W	
	R 521	QRE141J-102Y	C RESISTOR	1.0K 5% 1/4W	
	R 522	QRE141J-102Y	C RESISTOR	1.0K 5% 1/4W	
	R 523	QRE141J-472Y	C RESISTOR	4.7K 5% 1/4W	
	R 524	QRE141J-472Y	C RESISTOR	4.7K 5% 1/4W	
	R 525	QRE141J-472Y	C RESISTOR	4.7K 5% 1/4W	
	R 526	QRE141J-473Y	C RESISTOR	47K 5% 1/4W	
	R 527	QRE141J-822Y	C RESISTOR	8.2K 5% 1/4W	
	R 528	QRE141J-822Y	C RESISTOR	8.2K 5% 1/4W	
	R 529	QRE141J-822Y	C RESISTOR	8.2K 5% 1/4W	
	R 530	QRE141J-822Y	C RESISTOR	8.2K 5% 1/4W	
	R 531	QRE141J-822Y	C RESISTOR	8.2K 5% 1/4W	
	R 532	QRE141J-472Y	C RESISTOR	4.7K 5% 1/4W	
	R 533	QRE141J-473Y	C RESISTOR	47K 5% 1/4W	
	R 534	QRE141J-473Y	C RESISTOR	47K 5% 1/4W	
	R 535	QRE141J-473Y	C RESISTOR	47K 5% 1/4W	
	R 536	QRE141J-473Y	C RESISTOR	47K 5% 1/4W	
	R 537	QRE141J-473Y	C RESISTOR	47K 5% 1/4W	
	R 540	QRE141J-473Y	C RESISTOR	47K 5% 1/4W	
	R 541	QRE141J-223Y	C RESISTOR	22K 5% 1/4W	
	R 542	QRE141J-473Y	C RESISTOR	47K 5% 1/4W	
	R 543	QRE141J-223Y	C RESISTOR	22K 5% 1/4W	
	R 544	QRE141J-221Y	C RESISTOR	220 5% 1/4W	
	R 545	QRE141J-223Y	C RESISTOR	22K 5% 1/4W	
	R 549	QRE141J-101Y	C RESISTOR	100 5% 1/4W	
	R 551	QRE141J-472Y	C RESISTOR	4.7K 5% 1/4W	
	R 555	QRE141J-473Y	C RESISTOR	47K 5% 1/4W	
	R 556	QRE141J-473Y	C RESISTOR	47K 5% 1/4W	
	R 557	QRE141J-473Y	C RESISTOR	47K 5% 1/4W	
	R 558	QRE141J-103Y	C RESISTOR	10K 5% 1/4W	
	R 561	QRE141J-471Y	C RESISTOR	470 5% 1/4W	
	R 562	QRE141J-102Y	C RESISTOR	1.0K 5% 1/4W	
	R 563	QRE141J-101Y	C RESISTOR	100 5% 1/4W	
	R 564	QRE141J-471Y	C RESISTOR	470 5% 1/4W	
	R 565	QRE141J-471Y	C RESISTOR	470 5% 1/4W	
	R 566	QRE141J-101Y	C RESISTOR	100 5% 1/4W	
	R 567	QRE141J-102Y	C RESISTOR	1.0K 5% 1/4W	
	R 568	QRE141J-101Y	C RESISTOR	100 5% 1/4W	
	R 569	QRE141J-101Y	C RESISTOR	100 5% 1/4W	
	R 570	QRE141J-101Y	C RESISTOR	100 5% 1/4W	
	R 571	QRE141J-101Y	C RESISTOR	100 5% 1/4W	
	R 572	QRE141J-101Y	C RESISTOR	100 5% 1/4W	
	R 573	QRE141J-101Y	C RESISTOR	100 5% 1/4W	
	R 574	QRE141J-101Y	C RESISTOR	100 5% 1/4W	
	R 599	QRE141J-152Y	C RESISTOR	1.5K 5% 1/4W	
	R 801	QRE141J-221Y	C RESISTOR	220 5% 1/4W	
	R 802	QRE141J-221Y	C RESISTOR	220 5% 1/4W	
	R 803	QRE141J-221Y	C RESISTOR	220 5% 1/4W	

△	Item	Parts number	Parts name	Remarks	Area
	R 804	QRE141J-221Y	C RESISTOR	220 5% 1/4W	
	R 809	QRE141J-472Y	C RESISTOR	4.7K 5% 1/4W	
	R 810	QRE141J-221Y	C RESISTOR	220 5% 1/4W	
	R 811	QRE141J-223Y	C RESISTOR	22K 5% 1/4W	
	R 821	QRE141J-471Y	C RESISTOR	470 5% 1/4W	
	R 822	QRE141J-103Y	C RESISTOR	10K 5% 1/4W	
	R 823	QRE141J-473Y	C RESISTOR	47K 5% 1/4W	
	R 831	QRE141J-222Y	C RESISTOR	2.2K 5% 1/4W	
	R 832	QRE141J-103Y	C RESISTOR	10K 5% 1/4W	
	R 833	QRE141J-473Y	C RESISTOR	47K 5% 1/4W	
	R 834	QRE141J-473Y	C RESISTOR	47K 5% 1/4W	
	R 841	QRE141J-222Y	C RESISTOR	2.2K 5% 1/4W	
	R 842	QRE141J-103Y	C RESISTOR	10K 5% 1/4W	
	R 843	QRE141J-473Y	C RESISTOR	47K 5% 1/4W	
	R 844	QRE141J-473Y	C RESISTOR	47K 5% 1/4W	
	R 861	QRE141J-471Y	C RESISTOR	470 5% 1/4W	
	R 862	QRE141J-103Y	C RESISTOR	10K 5% 1/4W	
	R 863	QRE141J-473Y	C RESISTOR	47K 5% 1/4W	
	R 881	QRE141J-103Y	C RESISTOR	10K 5% 1/4W	
	R 882	QRE141J-223Y	C RESISTOR	22K 5% 1/4W	
	R 883	QRE141J-101Y	C RESISTOR	100 5% 1/4W	
△	R 901	QRZ9006-4R7X	F RESISTOR	4.7 1/0W	
	R 902	QRE141J-222Y	C RESISTOR	2.2K 5% 1/4W	
	R 903	QRE141J-622Y	C RESISTOR	6.2K 5% 1/4W	
	R 904	QRE141J-472Y	C RESISTOR	4.7K 5% 1/4W	
△	R 905	QRZ9006-4R7X	F RESISTOR	4.7 1/0W	
	R 906	QRE141J-472Y	C RESISTOR	4.7K 5% 1/4W	
	R 908	QRE141J-222Y	C RESISTOR	2.2K 5% 1/4W	
	R 910	QRE141J-222Y	C RESISTOR	2.2K 5% 1/4W	
	R 921	QRE141J-102Y	C RESISTOR	1.0K 5% 1/4W	
	R 925	QRE141J-471Y	C RESISTOR	470 5% 1/4W	
	R 926	QRE141J-471Y	C RESISTOR	470 5% 1/4W	
	R 941	QRE141J-472Y	C RESISTOR	4.7K 5% 1/4W	
△	R 942	QRJ146J-4R7X	UNF C.RES I/M	4.7 5% 1/4W	
	R 943	QRE141J-333Y	C RESISTOR	33K 5% 1/4W	
	R 981	QRE141J-101Y	C RESISTOR	100 5% 1/4W	
	R 982	QRE141J-101Y	C RESISTOR	100 5% 1/4W	
	R 991	QRE141J-103Y	C RESISTOR	10K 5% 1/4W	
	R 992	QRE141J-103Y	C RESISTOR	10K 5% 1/4W	
	R1501	QRE141J-102Y	C RESISTOR	1.0K 5% 1/4W	
	R1502	QRE141J-152Y	C RESISTOR	1.5K 5% 1/4W	
	R1503	QRE141J-101Y	C RESISTOR	100 5% 1/4W	
	R1504	QRE141J-102Y	C RESISTOR	1.0K 5% 1/4W	
	R1505	QRE141J-101Y	C RESISTOR	100 5% 1/4W	
	R1506	QRE141J-152Y	C RESISTOR	1.5K 5% 1/4W	
	R1507	QRE141J-473Y	C RESISTOR	47K 5% 1/4W	
	R1508	QRE141J-151Y	C RESISTOR	150 5% 1/4W	
	R1509	QRE141J-151Y	C RESISTOR	150 5% 1/4W	
	R2501	QRE141J-102Y	C RESISTOR	1.0K 5% 1/4W	
	R2502	QRE141J-152Y	C RESISTOR	1.5K 5% 1/4W	
	R2503	QRE141J-101Y	C RESISTOR	100 5% 1/4W	
	R2504	QRE141J-102Y	C RESISTOR	1.0K 5% 1/4W	
	R2505	QRE141J-101Y	C RESISTOR	100 5% 1/4W	
	R2506	QRE141J-152Y	C RESISTOR	1.5K 5% 1/4W	
	R2507	QRE141J-473Y	C RESISTOR	47K 5% 1/4W	
	R2508	QRE141J-151Y	C RESISTOR	150 5% 1/4W	
	R2509	QRE141J-151Y	C RESISTOR	150 5% 1/4W	
	S 531	QSW0871-001	SLIDE SW	TAPE/CDR	
X	X 501	QAX0356-001Z	RESONATOR	10MHZ EFO-EC100	
X	X 502	QAX0401-001	CRYSTAL	CPU SUB CLK	

■ Electrical parts list (Display board)

Block No. 02

△	Item	Parts number	Parts name	Remarks	Area
	C 701	QDYB1CM-103Y	C CAPACITOR		
	C 702	QER41AM-107	E CAPACITOR	100MF 20% 10V	
	C 703	QDGB1HK-681Y	C CAPACITOR		
	C 722	QCFB1HZ-104Y	C CAPACITOR	.10MF +80:-20%	
	C 723	QER41CM-476	E CAPACITOR	47MF 20% 16V	
	C 724	QCFB1HZ-104Y	C CAPACITOR	.10MF +80:-20%	
	C 725	QER41CM-476	E CAPACITOR	47MF 20% 16V	
	C 741	QDYB1CM-103Y	C CAPACITOR		
	C 742	QFV61HJ-393Z	TF CAPACITOR	.039MF 5% 50V	
	C 743	QER41AM-107	E CAPACITOR	100MF 20% 10V	
	C 749	QCBB1HK-101Y	C CAPACITOR	100PF 10% 50V	
	CN701	QGB2012J1-06	CONNECTOR	P.SW PWB	
	CN711	QGG2002M4-06	PIN HEDDER	TO P.SW PWB	
	CN712	QGG2002M4-06	PIN HEDDER	TO FL PWB	
	CN721	QGB2012J1-06	CONNECTOR	FL PWB	
	CN722	QGF1205F1-15	CONNECTOR	FL PWB TO MAIN	
	CN723	QGF1205F1-16	CONNECTOR	AUDIO+LED	
	CN724	QGF1205C1-04	CONNECTOR	MIC +-10V	
	CN725	QGF1205C1-05	CONNECTOR	H.P.	
	CN751	QGF1205F1-11	CONNECTOR	KEY PWB TO MAIN	
	C1201	QCBB1HK-101Y	C CAPACITOR	100PF 10% 50V	
	C1202	QDYB1CM-103Y	C CAPACITOR		
	C1203	QDYB1CM-103Y	C CAPACITOR		
	C1401	QER61HM-475Z	E CAPACITOR	4.7MF 20% 50V	
	C2201	QCBB1HK-101Y	C CAPACITOR	100PF 10% 50V	
	C2202	QDYB1CM-103Y	C CAPACITOR		
	C2203	QDYB1CM-103Y	C CAPACITOR		
	C2401	QER61HM-475Z	E CAPACITOR	4.7MF 20% 50V	
	C6001	QDXB1CM-222Y	C.CAPA IM		
	C6002	QENC1HM-105Z	NP E.CAPA I.M	1.0MF 20% 50V	
	C6003	QCBB1HK-331Y	C CAPACITOR	330PF 10% 50V	
	C6005	QER61HM-475Z	E CAPACITOR	4.7MF 20% 50V	
	C6008	QDYB1CM-103Y	C CAPACITOR		
	C6009	QDYB1CM-103Y	C CAPACITOR		
	C6101	QCFB1HZ-104Y	C CAPACITOR	.10MF +80:-20%	
	C6102	QETN1EM-476Z	E CAPACITOR	47MF 20% 25V	
	C6103	QCFB1HZ-104Y	C CAPACITOR	.10MF +80:-20%	
	C6104	QER41CM-476	E CAPACITOR	47MF 20% 16V	
	C6201	QCFB1HZ-104Y	C CAPACITOR	.10MF +80:-20%	
	C6202	QETN1CM-107Z	E CAPACITOR	100MF 20% 16V	
	C6203	QCFB1HZ-104Y	C CAPACITOR	.10MF +80:-20%	
	C6204	QETN1CM-107Z	E CAPACITOR	100MF 20% 16V	
	C6209	QDYB1CM-103Y	C CAPACITOR		
	D 701	SLR-325VC-T	LED I/M	POWER	
	D 723	SLR-325VC-T	LED I/M	MIX BALANCE	
	D 724	SLR-325VC-T	LED I/M	REC LEVEL	
	D 726	1SS133-T2	SI DIODE		
	D 727	1SS133-T2	SI DIODE		
	D 728	1SS133-T2	SI DIODE		
	D 729	1SS133-T2	SI DIODE		
	D 751	SLR-325MC-T	LED I/M	DISC1	
	D 752	SLR-325MC-T	LED I/M	DISC2	
	D 753	SLR-325MC-T	LED I/M	DISC3	
	D 755	SLR-325VC-T	LED I/M	S-OPT	
	D 756	SLR-325VC-T	LED I/M	S-CD	
	D 757	SLR-325VC-T	LED I/M	S-LINE	
	D 758	SLR-325VC-T	LED I/M	S-MIC	
	DI721	QLF0075-001	FL TUBE		
	IC601	NJM4580L	IC	MIC AMP	
	IC621	BA15218N	IC	HP AMP	
	IC701	SBX3076-52	RM RECIVER		
	IC721	M66004SP	FL DRIVER IC		
	IC722	BA15218N	IC	MIX AMP	

△	Item	Parts number	Parts name	Remarks	Area
	JS721	QSW0446-001	R ENCODER	JOG	
	J6001	QNS0091-001	JACK	MIC JACK	
	J6201	QNS0092-001	JACK	HP JACK	
	Q 701	KRC103M-T	TRANSISTOR	FOR POWER LED	
	Q 723	KRC103M-T	TRANSISTOR	FOR MIX BAL LED	
	Q 724	KRA103M-T	TRANSISTOR *	HP DIST KAIZEN	
	Q 726	KTC3199/GL-T	TRANSISTOR	FOR 1G	
	Q 727	KTC3199/GL-T	TRANSISTOR	FOR 15G	
	Q 728	KTC3199/GL-T	TRANSISTOR	FOR 16G	
	Q 729	KRA103M-T	TRANSISTOR *		
	Q 730	KRA103M-T	TRANSISTOR *		
	Q1401	KTC3199/GL-T	TRANSISTOR	MIX VR SW	
	Q2401	KTC3199/GL-T	TRANSISTOR	MIX VR SW	
	R 701	QRE141J-102Y	C RESISTOR	1.0K 5% 1/4W	
	R 702	QRE141J-102Y	C RESISTOR	1.0K 5% 1/4W	
	R 703	QRE141J-122Y	C RESISTOR	1.2K 5% 1/4W	
	R 704	QRE141J-182Y	C RESISTOR	1.8K 5% 1/4W	
	R 705	QRE141J-272Y	C RESISTOR	2.7K 5% 1/4W	
	R 706	QRE141J-332Y	C RESISTOR	3.3K 5% 1/4W	
	R 707	QRE141J-562Y	C RESISTOR	5.6K 5% 1/4W	
	R 708	QRE141J-103Y	C RESISTOR	10K 5% 1/4W	
	R 709	QRE141J-562Y	C RESISTOR	5.6K 5% 1/4W	
	R 710	QRE141J-103Y	C RESISTOR	10K 5% 1/4W	
	R 711	QRE141J-331Y	C RESISTOR	330 5% 1/4W	
	R 721	QRE141J-102Y	C RESISTOR	1.0K 5% 1/4W	
	R 722	QRE141J-102Y	C RESISTOR	1.0K 5% 1/4W	
	R 723	QRE141J-122Y	C RESISTOR	1.2K 5% 1/4W	
	R 724	QRE141J-182Y	C RESISTOR	1.8K 5% 1/4W	
	R 725	QRE141J-272Y	C RESISTOR	2.7K 5% 1/4W	
	R 726	QRE141J-332Y	C RESISTOR	3.3K 5% 1/4W	
	R 729	QRE141J-331Y	C RESISTOR	330 5% 1/4W	
	R 730	QRE141J-331Y	C RESISTOR	330 5% 1/4W	
	R 736	QRE141J-333Y	C RESISTOR	33K 5% 1/4W	
	R 737	QRE141J-333Y	C RESISTOR	33K 5% 1/4W	
	R 738	QRE141J-333Y	C RESISTOR	33K 5% 1/4W	
	R 739	QRE141J-333Y	C RESISTOR	33K 5% 1/4W	
	R 740	QRE141J-333Y	C RESISTOR	33K 5% 1/4W	
	R 741	QRE141J-333Y	C RESISTOR	33K 5% 1/4W	
	R 742	QRE141J-103Y	C RESISTOR	10K 5% 1/4W	
	R 749	QRE141J-223Y	C RESISTOR	22K 5% 1/4W	
	R 751	QRE141J-102Y	C RESISTOR	1.0K 5% 1/4W	
	R 752	QRE141J-102Y	C RESISTOR	1.0K 5% 1/4W	
	R 753	QRE141J-122Y	C RESISTOR	1.2K 5% 1/4W	
	R 754	QRE141J-182Y	C RESISTOR	1.8K 5% 1/4W	
	R 755	QRE141J-272Y	C RESISTOR	2.7K 5% 1/4W	
	R 760	QRE141J-102Y	C RESISTOR	1.0K 5% 1/4W	
	R 761	QRE141J-102Y	C RESISTOR	1.0K 5% 1/4W	
	R 762	QRE141J-122Y	C RESISTOR	1.2K 5% 1/4W	
	R 763	QRE141J-182Y	C RESISTOR	1.8K 5% 1/4W	
	R 764	QRE141J-272Y	C RESISTOR	2.7K 5% 1/4W	
	R 781	QRE141J-331Y	C RESISTOR	330 5% 1/4W	
	R 782	QRE141J-331Y	C RESISTOR	330 5% 1/4W	
	R 783	QRE141J-331Y	C RESISTOR	330 5% 1/4W	
	R 785	QRE141J-331Y	C RESISTOR	330 5% 1/4W	
	R 786	QRE141J-331Y	C RESISTOR	330 5% 1/4W	
	R 787	QRE141J-331Y	C RESISTOR	330 5% 1/4W	
	R 788	QRE141J-331Y	C RESISTOR	330 5% 1/4W	
	R1201	QRE141J-103Y	C RESISTOR	10K 5% 1/4W	
	R1202	QRE141J-104Y	C RESISTOR	100K 5% 1/4W	
	R1204	QRE141J-562Y	C RESISTOR	5.6K 5% 1/4W	
	R1205	QRE141J-680Y	C RESISTOR	68 5% 1/4W	
	R1206	QRE141J-820Y	C RESISTOR	82 5% 1/4W	
	R1401	QRE141J-223Y	C RESISTOR	22K 5% 1/4W	

■ Electrical parts list (Display board)

Block No. 02

△	Item	Parts number	Parts name	Remarks	Area
	R1402	QRE141J-223Y	C RESISTOR	22K 5% 1/4W	
	R1403	QRE141J-103Y	C RESISTOR	10K 5% 1/4W	
	R1404	QRE141J-823Y	C RESISTOR	82K 5% 1/4W	
	R2201	QRE141J-103Y	C RESISTOR	10K 5% 1/4W	
	R2202	QRE141J-104Y	C RESISTOR	100K 5% 1/4W	
	R2204	QRE141J-562Y	C RESISTOR	5.6K 5% 1/4W	
	R2205	QRE141J-680Y	C RESISTOR	68 5% 1/4W	
	R2206	QRE141J-820Y	C RESISTOR	82 5% 1/4W	
	R2401	QRE141J-223Y	C RESISTOR	22K 5% 1/4W	
	R2402	QRE141J-223Y	C RESISTOR	22K 5% 1/4W	
	R2403	QRE141J-103Y	C RESISTOR	10K 5% 1/4W	
	R2404	QRE141J-823Y	C RESISTOR	82K 5% 1/4W	
	R6001	QRE141J-221Y	C RESISTOR	220 5% 1/4W	
	R6002	QRE141J-103Y	C RESISTOR	10K 5% 1/4W	
	R6003	QRE141J-103Y	C RESISTOR	10K 5% 1/4W	
	R6004	QRE141J-221Y	C RESISTOR	220 5% 1/4W	
	R6005	QRE141J-123Y	C RESISTOR	12K 5% 1/4W	
	R6006	QRE141J-103Y	C RESISTOR	10K 5% 1/4W	
	R6101	QRE141J-681Y	C RESISTOR	680 5% 1/4W	
	R6102	QRE141J-681Y	C RESISTOR	680 5% 1/4W	
	R6103	QRE141J-681Y	C RESISTOR	680 5% 1/4W	
	R6104	QRE141J-681Y	C RESISTOR	680 5% 1/4W	
	S 701	QSW0683-001Z	PUSH SW I.M	POWER	
	S 702	QSW0683-001Z	PUSH SW I.M	CLOCK/TIMER	
	S 703	QSW0683-001Z	PUSH SW I.M	PITCH OFF	
	S 704	QSW0683-001Z	PUSH SW I.M	PITCH+	
	S 705	QSW0683-001Z	PUSH SW I.M	PITCH-	
	S 706	QSW0683-001Z	PUSH SW I.M	BEST	
	S 707	QSW0683-001Z	PUSH SW I.M	LISTEN	
	S 708	QSW0683-001Z	PUSH SW I.M	SKIP	
	S 709	QSW0683-001Z	PUSH SW I.M	CD REC	
	S 710	QSW0683-001Z	PUSH SW I.M	CD REC	
	S 711	QSW0683-001Z	PUSH SW I.M	CD REC	
	S 712	QSW0683-001Z	PUSH SW I.M	CD REC	
	S 721	QSW0683-001Z	PUSH SW I.M	STOP	
	S 722	QSW0683-001Z	PUSH SW I.M	PLAY	
	S 723	QSW0683-001Z	PUSH SW I.M	FWD	
	S 724	QSW0683-001Z	PUSH SW I.M	BWD	
	S 725	QSW0683-001Z	PUSH SW I.M	MD	
	S 726	QSW0683-001Z	PUSH SW I.M	CD	
	S 751	QSW0683-001Z	PUSH SW I.M	OPEN/CLOSE1	
	S 752	QSW0683-001Z	PUSH SW I.M	OPEN/CLOSE2	
	S 753	QSW0683-001Z	PUSH SW I.M	OPEN/CLOSE3	
	S 754	QSW0683-001Z	PUSH SW I.M	DISC1	
	S 755	QSW0683-001Z	PUSH SW I.M	DISC2	
	S 756	QSW0683-001Z	PUSH SW I.M	DISC3	
	S 760	QSW0683-001Z	PUSH SW I.M	EJECT	
	S 761	QSW0683-001Z	PUSH SW I.M	S-OPT	
	S 762	QSW0683-001Z	PUSH SW I.M	S-CD	
	S 763	QSW0683-001Z	PUSH SW I.M	S-LINE	
	S 764	QSW0683-001Z	PUSH SW I.M	S-MIC	
	S 765	QSW0683-001Z	PUSH SW I.M	CANCEL	
	VR641	QVQ0115-W15	V RESISTOR	MIX VOL	
	VR642	QVQ0296-A14	V RESISTOR	REC VOL	
	VR643	QVQ0117-A14	V RESISTOR	H.P.VOL	

■ Electrical parts list (V.select board)

Block No. 03

△	Item	Parts number	Parts name	Remarks	Area
	C 930	QDYB1CM-103Y	C CAPACITOR		
	C 931	QDYB1CM-103Y	C CAPACITOR		
	CN 1	QNZ0079-001Z	TAB I.M		
	CN 2	QNZ0079-001Z	TAB I.M		
	CN903	QGZ2503K1-04	B TO B CONNE		
	CN904	QGZ2503K1-04	B TO B CONNE		
	CN905	QGZ2503J1-04	B TO B CONNE		
	CN906	QGZ2503J1-04	B TO B CONNE		
	FW901	QUM029-12CGZ3	FLAT WIRE	TRANS-MAIN	
△	L 901	QQR0799-001	INDUCTOR		
	S 901	QSS2325-112	SLIDE SWITCH		
	Z 89	QNG0019-001Z	FUSE CLIP		
	Z 90	QNG0019-001Z	FUSE CLIP		
	Z 91	QNG0019-001Z	FUSE CLIP		
	Z 92	QNG0019-001Z	FUSE CLIP		
	Z 93	QNG0019-001Z	FUSE CLIP		
	Z 94	QNG0019-001Z	FUSE CLIP		
	Z 95	QNG0019-001Z	FUSE CLIP		
	Z 96	QNG0019-001Z	FUSE CLIP		
	Z 97	QNG0019-001Z	FUSE CLIP		
	Z 98	QNG0019-001Z	FUSE CLIP		

■ Electrical parts list (CD servo board)

Block No. 04

△	Item	Parts number	Parts name	Remarks	Area	△	Item	Parts number	Parts name	Remarks	Area
	C 251	NCS21HJ-100X	C CAPACITOR				C 815	QEQF1HM-105Z	NP E CAPACITOR	1.0MF 20% 50V	
	C 252	NCS21HJ-100X	C CAPACITOR				C 816	QEQF1HM-225Z	E CAPACITOR	2.2MF 20% 50V	
	C 253	NCB21EK-104X	C CAPACITOR				C 821	NCF21CZ-105X	C CAPACITOR		
	C 254	QERF1AM-476Z	E CAPACITOR	47MF 20% 10V			C 822	QER41AM-227	E CAPACITOR	220MF 20% 10V	
	C 291	QERF1AM-476Z	E CAPACITOR	47MF 20% 10V			C 852	QER41CM-106	E CAPACITOR	10MF 20% 16V	
	C 601	NCB21HK-102X	C CAPACITOR				C 855	NCB21EK-104X	C CAPACITOR		
	C 602	NCB21HK-102X	C CAPACITOR				C 859	NCF21CZ-105X	C CAPACITOR		
	C 603	NCB21HK-223X	C CAPACITOR				C 860	NCF21CZ-105X	C CAPACITOR		
	C 604	NCB21HK-223X	C CAPACITOR				CN601	QGF1016F3-15	15FFC CONNECTOR		
	C 605	NCS21HJ-680X	C CAPACITOR				CN651	QGF1016F3-19	CONNECTOR		
	C 606	NCS21HJ-680X	C CAPACITOR				CN652	QGF1016F3-05	CONNECTOR		
	C 607	NCB21CK-105X	C CAPACITOR				CN801	QGA2001C1-06	6P PLUG ASSY		
	C 610	NCB21EK-563X	C CAPACITOR				CN851	QGD2503F1-03	SOCKET		
	C 611	NCF21CZ-105X	C CAPACITOR				CN854	QGB2016K1-07	CONNECTOR		
	C 612	QER41HM-105	E CAPACITOR	1.0MF 20% 50V			CN855	QGG2002M4-10	CONNECTOR		
	C 613	NCB21CK-105X	C CAPACITOR				IC251	UPD780024AGKA12	IC		
	C 614	NCB21HK-273X	C CAPACITOR				IC601	AN8849SB-W	IC		
	C 615	NCB21HK-472X	C CAPACITOR				IC602	UPC393G2-W	IC		
	C 616	NCB21HK-103X	C CAPACITOR				IC603	TC7S32F-X	IC		
	C 617	NCS21HJ-331X	C CAPACITOR				IC651	MN35511AL	IC		
	C 619	NCS21HJ-150X	C CAPACITOR				IC652	NJM4580E-W	IC		
	C 621	NCB21CK-105X	C CAPACITOR				IC801	LA6541-X	IC		
	C 623	NCF21CZ-105X	C CAPACITOR				IC851	TA8409S	IC		
	C 624	QERF0JM-107Z	E CAPACITOR	100MF 20% 6.3V			IC852	TA8409S	IC		
	C 631	QER41CM-106	E CAPACITOR	10MF 20% 16V			L 851	QQL01BK-100Z	INDUCTOR		
	C 632	NCF21CZ-105X	C CAPACITOR				L 853	QQL01BK-100Z	INDUCTOR		
	C 633	NCB21HK-223X	C CAPACITOR				L 854	QQL01BK-100Z	INDUCTOR		
	C 641	NCB21HK-223X	C CAPACITOR				Q 291	2SB1357/EF/-T	TRANSISTOR		
	C 642	NCB21HK-222X	C CAPACITOR				Q 631	2SA1037AK/RS/-X	TRANSISTOR		
	C 643	NCB21EK-104X	C CAPACITOR				Q 842	DTA144EKA-X	TRANSISTOR		
	C 644	NCB21EK-104X	C CAPACITOR				R 253	NRSA02J-102X	MG RESISTOR		
	C 651	NCS21HJ-120X	C CAPACITOR				R 254	NRSA02J-102X	MG RESISTOR		
	C 652	NCS21HJ-120X	C CAPACITOR				R 255	NRSA02J-102X	MG RESISTOR		
	C 653	NCB21EK-104X	C CAPACITOR				R 256	NRSA02J-102X	MG RESISTOR		
	C 655	NCB21EK-104X	C CAPACITOR				R 257	NRSA02J-102X	MG RESISTOR		
	C 656	NCB21EK-104X	C CAPACITOR				R 258	NRSA02J-102X	MG RESISTOR		
	C 657	QER41AM-227	E CAPACITOR	220MF 20% 10V			R 260	NRSA02J-222X	MG RESISTOR		
	C 658	NCB21EK-104X	C CAPACITOR				R 261	NRSA02J-223X	MG RESISTOR		
	C 661	NCS21HJ-471X	C CAPACITOR				R 262	NRSA02J-223X	MG RESISTOR		
	C 663	NCB21HK-223X	C CAPACITOR				R 263	NRSA02J-223X	MG RESISTOR		
	C 664	NCB21HK-223X	C CAPACITOR				R 264	NRSA02J-223X	MG RESISTOR		
	C 665	NCB21CK-154X	C CAPACITOR				R 265	NRSA02J-223X	MG RESISTOR		
	C 667	NCB21CK-105X	C CAPACITOR				R 274	NRSA02J-102X	MG RESISTOR		
	C 668	NCB21EK-473X	C CAPACITOR				R 275	NRSA02J-102X	MG RESISTOR		
	C 669	QER41AM-227	E CAPACITOR	220MF 20% 10V			R 276	NRSA02J-102X	MG RESISTOR		
	C 673	QER41AM-227	E CAPACITOR	220MF 20% 10V			R 277	NRSA02J-102X	MG RESISTOR		
	C 676	NCB21EK-104X	C CAPACITOR				R 280	NRSA02J-102X	MG RESISTOR		
	C 677	NCB21EK-104X	C CAPACITOR				R 281	NRSA02J-102X	MG RESISTOR		
	C 679	QERF0JM-107Z	E CAPACITOR	100MF 20% 6.3V			R 284	NRSA02J-102X	MG RESISTOR		
	C 680	NCB21EK-104X	C CAPACITOR				R 288	NRSA02J-102X	MG RESISTOR		
	C 691	NCS21HJ-391X	C CAPACITOR				R 289	NRSA02J-102X	MG RESISTOR		
	C 692	NCS21HJ-391X	C CAPACITOR				R 290	NRSA02J-102X	MG RESISTOR		
	C 693	NCB21HK-682X	C CAPACITOR				R 291	NRSA02J-122X	MG RESISTOR		
	C 694	NCB21HK-682X	C CAPACITOR				R 292	NRSA02J-103X	MG RESISTOR		
	C 695	NCB21HK-473X	C CAPACITOR				R 293	NRSA02J-102X	MG RESISTOR		
	C 696	QER41CM-106	E CAPACITOR	10MF 20% 16V			R 294	NRSA02J-102X	MG RESISTOR		
	C 699	QER41AM-227	E CAPACITOR	220MF 20% 10V			R 601	NRSA02J-164X	MG RESISTOR		
	C 801	NCB21HK-153X	C CAPACITOR				R 602	NRSA02J-913X	MG RESISTOR		
	C 802	NCB21HK-472X	C CAPACITOR				R 603	NRSA02J-104X	MG RESISTOR		
	C 811	NCS21HJ-391X	C CAPACITOR				R 604	NRSA02J-274X	MG RESISTOR		
	C 812	NCS21HJ-391X	C CAPACITOR				R 605	NRSA02J-333X	MG RESISTOR		
	C 813	NCS21HJ-391X	C CAPACITOR				R 606	NRSA02J-473X	MG RESISTOR		
	C 814	NCS21HJ-391X	C CAPACITOR				R 611	NRSA02J-752X	MG RESISTOR		

■ Electrical parts list (CD servo board)

Block No. 04

△	Item	Parts number	Parts name	Remarks	Area
	R 612	NRSA02J-473X	MG RESISTOR		
	R 613	NRSA02J-752X	MG RESISTOR		
	R 617	NRSA02J-752X	MG RESISTOR		
	R 618	NRSA02J-223X	MG RESISTOR		
	R 619	NRSA02J-223X	MG RESISTOR		
	R 620	NRSA02J-564X	MG RESISTOR		
	R 621	NRSA02J-564X	MG RESISTOR		
	R 631	NRSA02J-2R2X	MG RESISTOR		
	R 632	NRSA02J-100X	MG RESISTOR		
	R 634	NRSA02J-120X	MG RESISTOR		
	R 635	NRSA02J-121X	MG RESISTOR		
	R 636	NRSA02J-910X	MG RESISTOR		
	R 641	NRSA02J-154X	MG RESISTOR		
	R 642	NRSA02J-394X	MG RESISTOR		
	R 643	NRSA02J-683X	MG RESISTOR		
	R 644	NRSA02J-222X	MG RESISTOR		
	R 645	NRSA02J-222X	MG RESISTOR		
	R 646	NRSA02J-683X	MG RESISTOR		
	R 647	NRSA02J-203X	MG RESISTOR		
	R 648	NRSA02J-223X	MG RESISTOR		
	R 649	NRSA02J-223X	MG RESISTOR		
	R 651	NRSA02J-102X	MG RESISTOR		
	R 652	NRSA02J-102X	MG RESISTOR		
	R 653	NRSA02J-102X	MG RESISTOR		
	R 654	NRSA02J-101X	MG RESISTOR		
	R 655	NRSA02J-102X	MG RESISTOR		
	R 656	NRSA02J-102X	MG RESISTOR		
	R 657	NRSA02J-102X	MG RESISTOR		
	R 658	NRSA02J-102X	MG RESISTOR		
	R 659	NRSA02J-102X	MG RESISTOR		
	R 661	NRSA02J-102X	MG RESISTOR		
	R 662	NRSA02J-683X	MG RESISTOR		
	R 663	NRSA02J-124X	MG RESISTOR		
	R 664	NRSA02J-331X	MG RESISTOR		
	R 665	NRSA02J-271X	MG RESISTOR		
	R 666	NRSA02J-221X	MG RESISTOR		
	R 667	NRSA02J-4R7X	MG RESISTOR		
	R 668	NRSA02J-122X	MG RESISTOR		
	R 669	NRSA02J-562X	MG RESISTOR		
	R 670	NRSA02J-101X	MG RESISTOR		
	R 682	NRSA02J-102X	MG RESISTOR		
	R 683	NRSA02J-105X	MG RESISTOR		
	R 685	NRSA02J-683X	MG RESISTOR		
	R 686	NRSA02J-102X	MG RESISTOR		
	R 687	NRSA02J-102X	MG RESISTOR		
	R 688	NRSA02J-102X	MG RESISTOR		
	R 689	NRSA02J-103X	MG RESISTOR		
	R 691	NRSA02J-183X	MG RESISTOR		
	R 692	NRSA02J-183X	MG RESISTOR		
	R 693	NRSA02J-183X	MG RESISTOR		
	R 694	NRSA02J-183X	MG RESISTOR		
	R 695	NRSA02J-243X	MG RESISTOR		
	R 696	NRSA02J-243X	MG RESISTOR		
	R 697	NRSA02J-243X	MG RESISTOR		
	R 698	NRSA02J-243X	MG RESISTOR		
	R 701	NRSA02J-821X	MG RESISTOR		
	R 702	NRSA02J-821X	MG RESISTOR		
	R 703	NRSA02J-103X	MG RESISTOR		
	R 704	NRSA02J-103X	MG RESISTOR		
	R 705	NRSA02J-562X	MG RESISTOR		
	R 706	NRSA02J-202X	MG RESISTOR		
	R 707	NRSA02J-682X	MG RESISTOR		
	R 708	NRSA02J-101X	MG RESISTOR		

△	Item	Parts number	Parts name	Remarks	Area
	R 709	NRSA02J-101X	MG RESISTOR		
	R 710	NRSA02J-221X	MG RESISTOR		
	R 801	NRSA02J-272X	MG RESISTOR		
	R 802	NRSA02J-392X	MG RESISTOR		
	R 803	NRSA02J-912X	MG RESISTOR		
	R 804	NRSA02J-224X	MG RESISTOR		
	R 805	NRSA02J-133X	MG RESISTOR		
	R 806	NRSA02J-243X	MG RESISTOR		
	R 807	NRSA02J-122X	MG RESISTOR		
	R 808	NRSA02J-273X	MG RESISTOR		
	R 809	NRSA02J-122X	MG RESISTOR		
	R 812	NRSA02J-332X	MG RESISTOR		
	R 813	NRSA02J-152X	MG RESISTOR		
	R 831	NRSA02J-151X	MG RESISTOR		
	R 832	NRSA02J-103X	MG RESISTOR		
	R 842	NRSA02J-472X	MG RESISTOR		
	R 851	NRSA02J-102X	MG RESISTOR		
	R 852	NRSA02J-102X	MG RESISTOR		
	R 853	NRSA02J-102X	MG RESISTOR		
	R 854	NRSA02J-102X	MG RESISTOR		
	R 855	NRSA02J-102X	MG RESISTOR		
	R 856	NRSA02J-102X	MG RESISTOR		
	R 857	NRSA02J-272X	MG RESISTOR		
	R 859	NRSA02J-181X	MG RESISTOR		
	R 861	NRSA02J-102X	MG RESISTOR		
	R 862	NRSA02J-102X	MG RESISTOR		
	R 863	NRSA02J-102X	MG RESISTOR		
	R 864	NRSA02J-102X	MG RESISTOR		
	R 865	NRSA02J-102X	MG RESISTOR		
	R 866	NRSA02J-102X	MG RESISTOR		
	R 871	NRSA02J-223X	MG RESISTOR		
	R 872	NRSA02J-223X	MG RESISTOR		
	R 873	NRSA02J-223X	MG RESISTOR		
	R 874	NRSA02J-223X	MG RESISTOR		
	R 875	NRSA02J-223X	MG RESISTOR		
	R 876	NRSA02J-223X	MG RESISTOR		
	R 880	NRSA02J-102X	MG RESISTOR		
	R 881	NRSA02J-102X	MG RESISTOR		
	R 882	NRSA02J-102X	MG RESISTOR		
	R 883	NRSA02J-102X	MG RESISTOR		
	R 884	NRSA02J-102X	MG RESISTOR		
	R 885	NRSA02J-102X	MG RESISTOR		
	R 886	NRSA02J-102X	MG RESISTOR		
	R 887	NRSA02J-102X	MG RESISTOR		
	R 888	NRSA02J-223X	MG RESISTOR		
	R 889	NRSA02J-223X	MG RESISTOR		
	R 890	NRSA02J-223X	MG RESISTOR		
	R 891	NRSA02J-223X	MG RESISTOR		
	R 892	NRSA02J-223X	MG RESISTOR		
	R 893	NRSA02J-223X	MG RESISTOR		
	R 894	NRSA02J-223X	MG RESISTOR		
	R 895	NRSA02J-223X	MG RESISTOR		
	W 601	QUB220-07HPDT	SIN TWIST WIRE		
	X 251	QAX0360-001Z	CRYSTAL		
	X 651	QAX0413-001Z	CRYSTAL		

■ Electrical parts list (CD select switch board) Block No. 05

△	Item	Parts number	Parts name	Remarks	Area
	CN804	QGB2016J1-07	CONNECTOR		
	SW 1	QSW0859-001	DETECT SWITCH		
	SW 2	QSW0859-001	DETECT SWITCH		
	SW 3	QSW0859-001	DETECT SWITCH		
	SW 4	QSW0859-001	DETECT SWITCH		
	SW 5	QSW0859-001	DETECT SWITCH		
	SW 6	QSW0859-001	DETECT SWITCH		

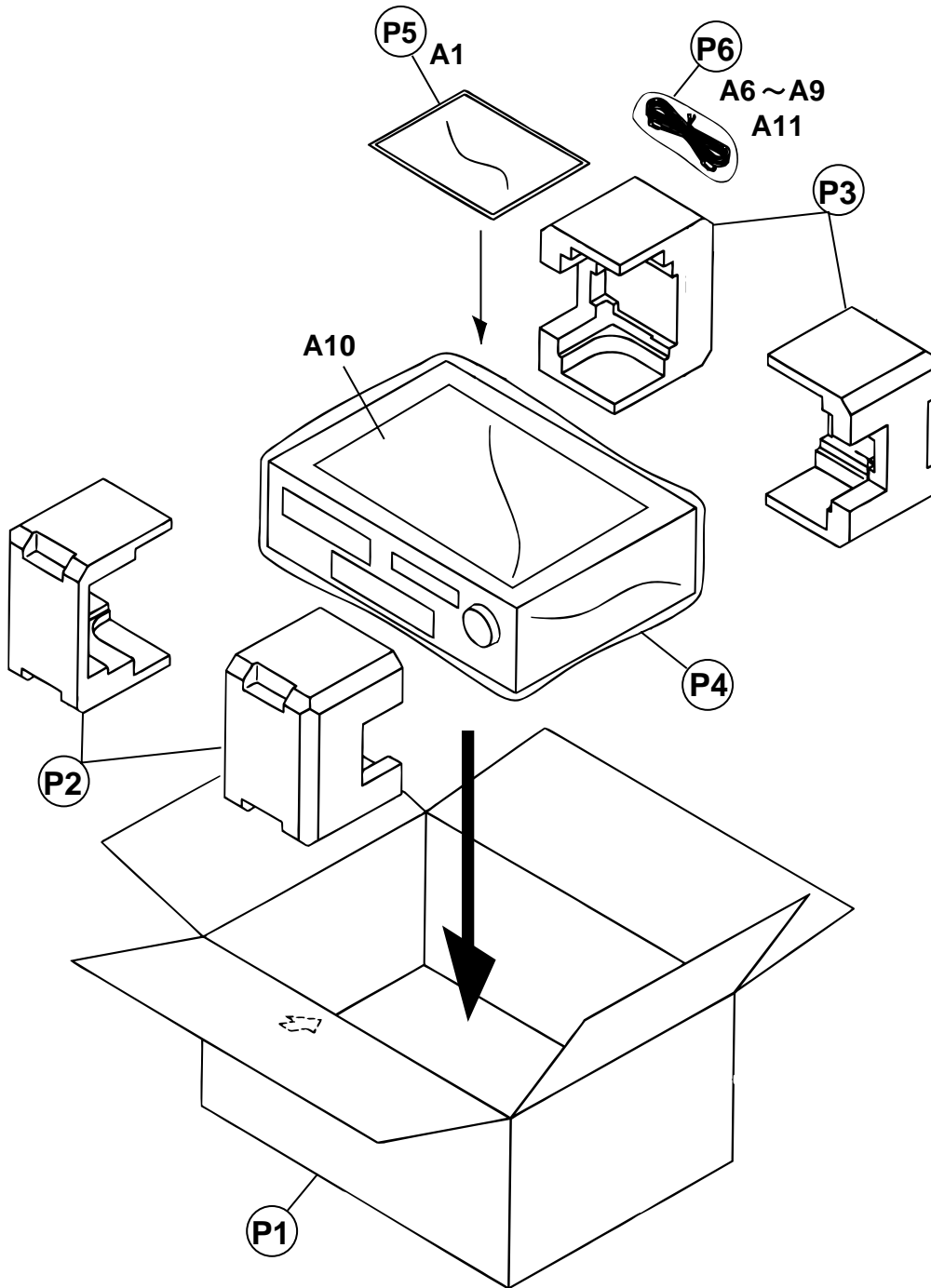
Packing materials and accessories parts list

Block No.

M	4	M	M
---	---	---	---

Block No.

M	5	M	M
---	---	---	---



Parts list (Packing)

Block No. M4MM

△	Item	Parts number	Parts name	Q'ty	Description	Area
	P 1	LV20728-004A	CARTON	1		
	P 2	LV20025-003A	CUSHION(F)	1		
	P 3	LV20025-002A	CUSHION(R)	1		
	P 4	QPC06506515P	POLY BAG	1	FOR SET	
	P 5	QPC02503510P	POLY BAG	1	FOR INST	
	P 6	QPA01502505	ENVELOPE	1	WIRE BATTERY PL	

Parts list (Accessories)

Block No. M5MM

△	Item	Parts number	Parts name	Q'ty	Description	Area
	A 1	LVT0452-001C	INST BOOK	1	ENG	
	A 6	EWP805-014	REMOTE WIRE	1		
	A 7	VMP0088-001JW	PIN CORD	1		
	A 8	RM-SXLR5000E	REMOCON UNIT	1		
	A 9	-----	BATTERY	1	FOR REMOCON	
	A 10	LV32110-001A	CAUTION SHEET	1		
	A 11	V04062-002	PLUG	1		